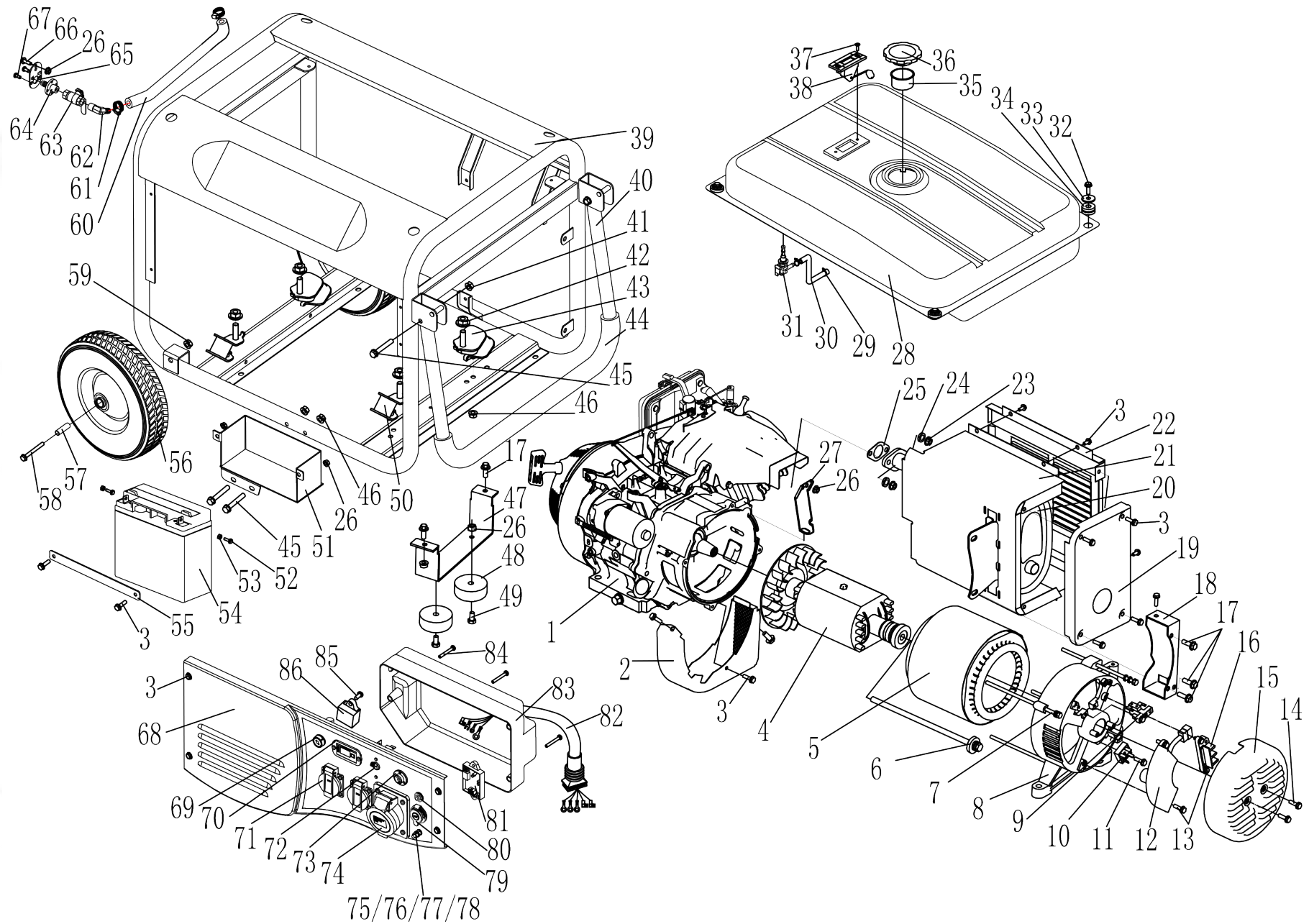


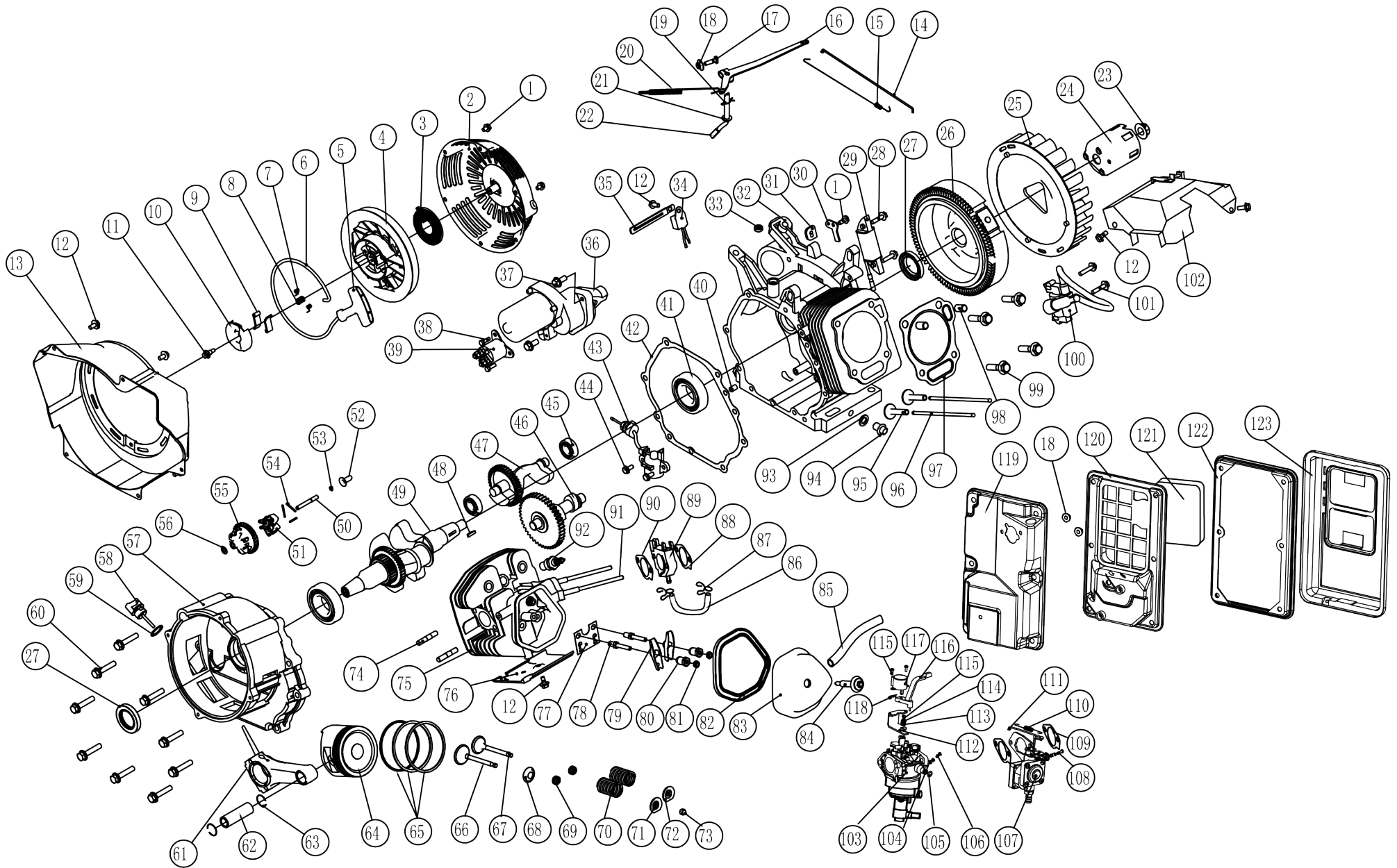
8896326 - generator / generátor



| | part number | description | popis | qty/ks | order No. / obj. číslo dílu | set order No. / obj. číslo sady |
|----|------------------|-------------------------------|------------------------------------|--------|-----------------------------------|---------------------------------------|
| 1 | JL192FD-1000000E | Style Engine | motor | 1 | | |
| 2 | JL6500-3030502 | Air guide assy, generator | (sestava vedení vzduchu) generátor | 1 | | |
| 3 | GB5789 M6X12 | Flange Bolt M6×12 | šroub příruby | 25 | | |
| 4 | JL7500-3030139A | Rotor comp Single-phase | rotor jednofázový | 1 | | |
| 5 | JL7500-3030139B | Stator assy-8 Single-phase | Stator 8 jednofázový | 1 | | |
| 6 | GB5789 | Flange bolt assy M10×1.25×280 | sada šroubů příruby | 1 | | |
| 7 | GB5789 M6×195 | Flange bolt assy M6×200 | sada šroubů příruby | 4 | | |
| 8 | JL6500-3030301 | End cover | kryt | 1 | | |
| 9 | JL6500-3030202 | Brush assy | sestava assy | 1 | | |
| 10 | JL2500-3030204 | Diode assy | sestava diody | 1 | | |
| 11 | GB5783 M5×20 | Bolt M5×20 | šroub | 1 | | |
| 12 | JL7500-3030203 | AVR (8kw) | AVR (8kw) | 1 | | |
| 13 | GB16674 M5×16 | Flange Bolt M5×16 | šroub příruby | 5 | | |
| 14 | GB16674 M5×12 | Flange Bolt M5×12 | šroub příruby | 3 | | |
| 15 | JL6500-3030302 | Generator end cover | kryt generátoru | 1 | | |
| 16 | JL2500-3030201 | terminal | terminál | 1 | | |
| 17 | GB5789 M8×16 | Flange Bolt M8×16 | šroub příruby | 16 | | |
| 18 | JL6500-3050101 | Muffler Stay | tlumič | 1 | | |
| 19 | JL6500-3040102 | Muffler life protector | chránič tlumiče | 1 | | |
| 20 | JL7000-3020107 | muffler 6KW | tlumič (6 kW) | 1 | | |
| 21 | JL6500-3020204 | Muffler inner protector 6KW | vnitřní chránič tlumiče (6KW) | 1 | | |
| 22 | JL6500-3030101 | Muffler outer protector | vnější chránič tlumiče | 1 | | |
| 23 | GB6175 M8 | NutM8 | matice | 2 | | |
| 24 | GB93 8 | Spring washer φ8 | pružinová podložka | 2 | | |
| 25 | JL188F-2020101 | Muffler gasket | těsnění tlumiče | 1 | | |
| 26 | GB6177 M6 | Nut M6 | matice M6 | 6 | | |
| 27 | JL6500-3030501 | Air cleaner Stay | čistič vzduchu | 1 | | |
| 28 | JL6500-3010101 | Fuel tank | palivová nádrž | 1 | | |
| 29 | JL168F-1010801 | Clip | svorka | 2 | | |
| 30 | JL168FD-1010922 | Fuel tube length 6.7in) | palivová trubice | 1 | | |
| 31 | JL2500-3010603 | Fuel cock | kohout paliva | 1 | | |
| 32 | GB5789 M6×20 | Flange Bolt M6×20 | šroub příruby | 4 | | |
| 33 | GB97 6 | Washer Φ6 | podložka | 4 | | |
| 34 | JL2500-3010601 | Tank rubber | guma nádrže | 4 | | |
| 35 | JL2500-3010301 | Fuel filter | filtr paliva | 1 | | |
| 36 | JL2500-3010201 | Fuel tank cap | víčko palivové nádrže | 1 | | |
| 37 | GB819 M5×10 | Screw M5×10 | šroub | 2 | | |
| 38 | JL6500-3010401 | Fuel meter assy | sestava měřičů paliva | 1 | | |
| 39 | JL7000-5050168 | frame (6kw) | rám | 1 | | |
| 40 | JL6500-7000607 | Handle | rukojeť | 2 | | |
| 41 | GBT6187 M8 | Lock NutM8 | pojistná matice | 2 | | |
| 42 | GB6177 M10×1.25 | Nut M10×1.25 | matice | 4 | | |
| 43 | JL6500-3030401 | Bottom rubber Big | spodní guma velká | 2 | | |

| | part number | description | popis | qty/ks | order No. / obj. číslo dílu | set order No. / obj. číslo sady |
|----|-----------------|---------------------------|----------------------------------|--------|-----------------------------------|---------------------------------------|
| 44 | JL6500-7000701 | Cushion | podložka | 2 | | |
| 45 | GB5789 M8×45 | Flange Bolt M8×45 | šroub příruby | 4 | | |
| 47 | JL2500-7000301 | Bracket | závorka | 1 | | |
| 48 | JL2500-7000201 | Vibration mount | vibrační držák | 2 | | |
| 49 | GB5789 M6×25 | Flange Bolt M6×25 | šroub příruby | 2 | | |
| 50 | JL6500-3030403 | Bottom rubber Small | spodní guma malá | 2 | | |
| 51 | JL6500-3050205 | Battery guard | chránič baterie | 1 | | |
| 52 | GB818 M5×8 | Screw M5×8 | šroub | 2 | | |
| 53 | GB6177 M5 | Nut M5 | matice | 2 | | |
| 54 | JL2500-3050804 | Battery 15AH | baterie | 1 | | |
| 55 | JL6500-3050304 | Battery setting plate | deska pro nastavení baterie | 1 | | |
| 56 | JL6500-7000404 | Wheel 10 | kolo | 2 | | |
| 57 | JL2500-7000512 | axle | náprava | 2 | | |
| 58 | GB5783 M10×120 | bolt M6×120 | šroub | 2 | | |
| 59 | GB6177 M10 | Nut M10 | matice | 2 | | |
| 60 | JL168F-1010448 | Gas pipeline | plynovod | 1 | | |
| 61 | JL168F-1010449 | Gas Clip | plynová spona | 2 | | |
| 62 | JL2500-1010559 | Gas connection joint | spoj pro připojení plynu | 1 | | |
| 63 | JL2500-1010513 | LPG/NG switch D8 | přepínač | 1 | | |
| 64 | JL2500-1010467 | Gas inlet G3/8+G1/4 | přívod plynu | 1 | | |
| 65 | JL2500-3050612 | Gas switch locating plate | deska pro umístění spínače plynu | 1 | | |
| 66 | GB5789 M6×35 | Flange Bolt M6×35 | přírubový šroub | 1 | | |
| 67 | GB818*5×8 | Screw M5×8 | šroub | 2 | | |
| 68 | JL6500-6010589 | Control panel | kontrolní panel | 1 | | |
| 69 | JL2500-6030105G | Engine Switch G | spínač motoru | 1 | | |
| 70 | JL2500-6040203 | Hour meter | počítadlo hodin | 1 | | |
| 71 | JL2500-6030313 | Receptacle 15A | zásuvka | 2 | | |
| 72 | JL6500-6030776 | A.C. Breaker 35A | AC jistič | 1 | | |
| 73 | JL6500-6040821 | ATS socket | zásuvka | 1 | | |
| 74 | JL6500-6030324 | Receptacle 32A/250V | zásuvka | 1 | | |
| 75 | GB5783 M6×22 | Bolt M6x22 | šroub | 1 | | |
| 76 | GB6175 M6 | Nut M6 | matice | 2 | | |
| 77 | GB97-1 6 | Washer φ6 | podložka | 3 | | |
| 78 | GB93 6 | Spring washer φ6 | pružná podložka | 2 | | |
| 79 | JL2500-6030408 | D.C12V Receptacle | zásuvka | 1 | | |
| 80 | JL2500-6030801 | D.C. circuit Breaker | jistič | 1 | | |
| 81 | JL6500-6040820 | ATS control module | řídící modul | 1 | | |
| 82 | JL6500-6010326A | Line assembly | montáž linky | 1 | | |
| 83 | JL6500-6020506 | Control panel protector | chránič ovládacího panelu | 1 | | |
| 84 | GB9074.1*5×40L | Screw M5×40 | šroub | 3 | | |
| 85 | GB818 M5×16 | Screw M5×16 | šroub | 1 | | |
| 86 | JL6500-6040801 | Rectifier | usměrňovač | 1 | | |

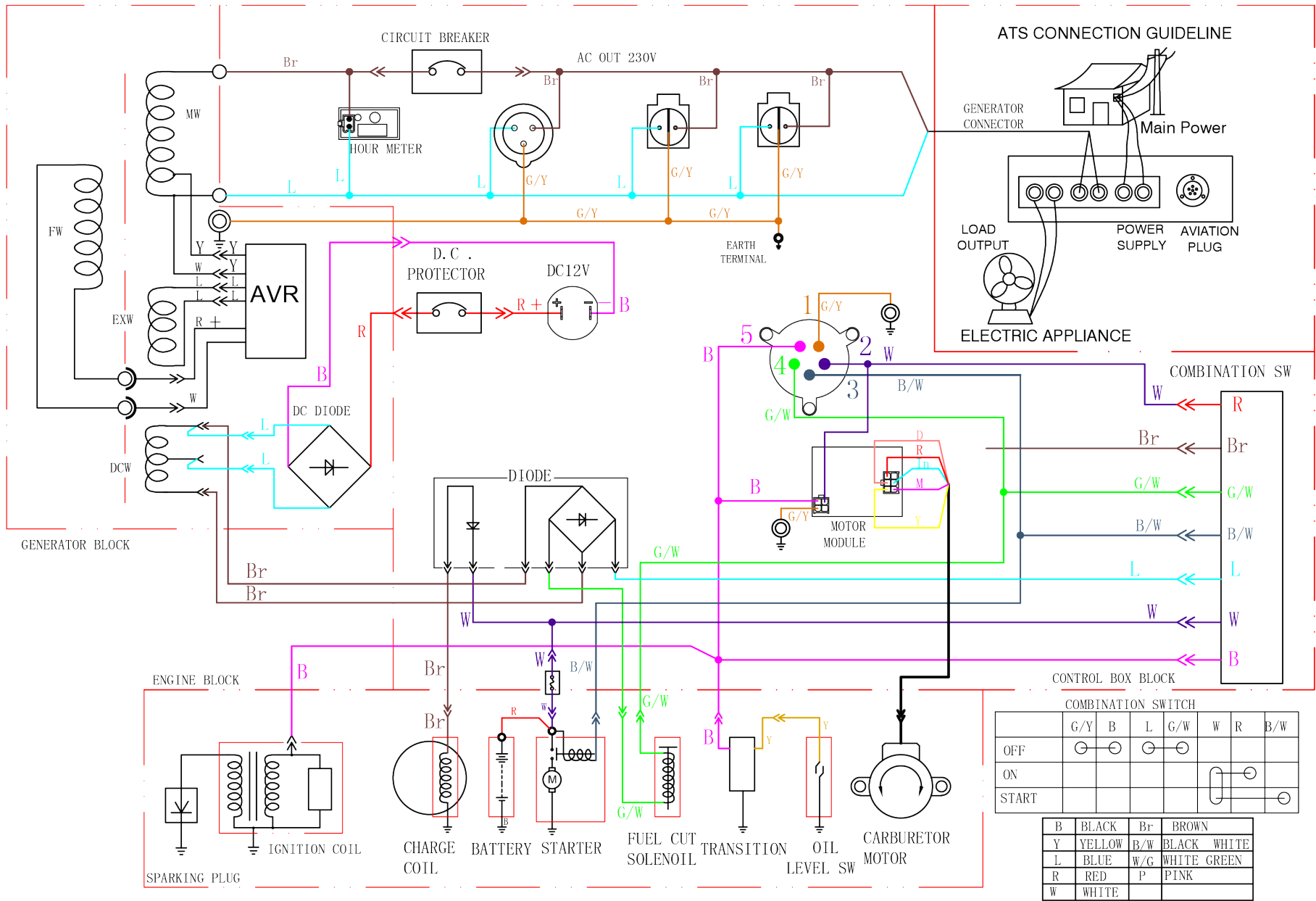
8896326 - engine / motor



| | part number | description | popis | qty/ks | order No. / obj. číslo dílu | set order No. / obj. číslo sady |
|----|----------------|--------------------------|------------------------------|--------|-----------------------------------|---------------------------------------|
| 1 | GB5789 M6×8 | Flange bolt M6×8 | Šroub příruby | | | |
| 2 | JL188F-1060100 | Recoil Starter case comp | Pouzdro recoilového startéru | 1 | | |
| 3 | JL188F-1060009 | Starter return spring | Vratná pružina | 1 | | |
| 4 | JL188F-1060008 | Recoil Starter pulley | Napínací kladka | 1 | | |
| 5 | JL168F-1061006 | Recoil Starter knob | Knoflík zpětného rázu | 1 | | |
| 6 | JL188F-1060007 | Recoil Starter rope | Zpětné lano | 1 | | |
| 7 | JL188F-1060006 | Ratchet spring | Ráčnatá pružina | 2 | | |
| 8 | JL188F-1060004 | Ratchet guide spring | Vodicí pružina ráčny | 1 | | |
| 9 | JL188F-1060005 | Ratchet Starter | Ráčna | 2 | | |
| 10 | JL188F-1060003 | Ratchet guide | Vodítko ráčny | 1 | | |
| 11 | JL188F-1060002 | Ratchet guide bolt | Vodicí šroub ráčny | 1 | | |
| 12 | GB5789 M6×12 | Flange bolt M6×12 | Šroub příruby | 9 | | |
| 13 | JL188F-1080100 | Fan corer comp | Jádrový ventilátor | 1 | | |
| 14 | JL188F-1110002 | Governor rod | Vodicí tyč | 1 | | |
| 15 | JL188F-1110001 | Throttle return spring | Vratná pružina plynu | 1 | | |
| 16 | JL188F-1110006 | Governor arm | Vodicí rameno | 1 | | |
| 17 | JL160F-1110004 | Governor arm bolt | Šroub vodícího ramene | 1 | | |
| 18 | GB6177 M6 | Nut M6 | Matice | 3 | | |
| 19 | JL188F-1110007 | Pin clip | Svorka | 1 | | |
| 20 | JL188F-1110004 | Governor spring | Vodicí pružina | 1 | | |
| 21 | JL188F-1110005 | Washer8.2×17×0.8 | Podložka | 1 | | |
| 22 | JL188F-1110003 | Cover arm shaft | Hřídel ramene krytu | 1 | | |
| 23 | JL188F-1050010 | Nut M16×1.5 | Matice | 1 | | |
| 24 | JL188F-1060001 | Starter pulley comp | Startovací kladka | 1 | | |
| 25 | JL190F-1080001 | Cooling fan | Chladící ventilátor | 1 | | |
| 26 | JL188F-1120100 | Flywheel comp | Setrvačnick | 1 | | |
| 27 | JL188F-1030200 | Oil seal | Těsnění oleje | 2 | | |
| 28 | GB5789-M6×25 | Bolt M6×25 | Šroub | 2 | | |
| 29 | JL188F-1123000 | Electrifiig coil | Elektrická cívka | 1 | | |
| 30 | JL188F-1030002 | Wire flat | Drát plochý | 1 | | |
| 31 | JL188F-1030012 | Packing | Podložka | 1 | | |
| 32 | JL192F-1030006 | Crankcase assy | Sestava klikové skříně | 1 | | |
| 33 | JL188F-1030100 | Oil seal | Těsnění oleje | 1 | | |
| 34 | JL168F-1126000 | Diode comp | Dioda | 1 | | |
| 35 | JL188F-1030001 | Wire clip | Drátěná spona | 1 | | |
| 36 | JL188F-1125000 | Start motor | Motor | 1 | | |
| 37 | GB5789-86 | Flange boltM8×35 | Šroub příruby | 2 | | |
| 38 | GB29.2-88 | Flange boltM5×20 | Šroub příruby | 2 | | |
| 39 | JL188F-1126000 | relay | přenašeč | 1 | | |
| 40 | JL188F-1003003 | Dowel pin8×14 | Hmoždinka | 2 | | |
| 41 | GB/T276- 6207 | Radial ball bearing 6207 | Radiální kuličkové ložisko | 2 | | |
| 42 | JL192F-1030010 | Case cover packing | Balení krytu pouzdra | 1 | | |
| 43 | JL188F-1127000 | Oil level switch assy | Spínač hladiny oleje | 1 | | |
| 44 | GB5789 M6×14 | Flange bolt M6×14 | Přírubový šroub | 2 | | |

| | part number | description | popis | qty/ks | order No. / obj. číslo dílu | set order No. / obj. číslo sady |
|----|-----------------|----------------------------|------------------------------|--------|-----------------------------------|---------------------------------------|
| 45 | GB/T276-6202 | Radial ball bearing6202 | Radiální kuličkové ložisko | 2 | | |
| 46 | JL190F-1041000 | Camshaft comp | Vačková hřídel | 1 | | |
| 47 | JL190F-1050303 | Balance gear | Vyvažovací zařízení | 1 | | |
| 48 | JL188F-1050304 | Key | Klíč | 1 | | |
| 49 | JL190F-1050301 | Crankshaft comp | Kliková hřídel | 1 | | |
| 50 | JL188F-1110009 | Governor shaft | Hřídel | 1 | | |
| 51 | JL188F-1110103 | Governor weight | Hmotnost | 3 | | |
| 52 | JL188F-1110008 | Governor slider | Posuvník | 1 | | |
| 53 | JL168F-1110103 | Governor shaft clip | Spona hřídele | 1 | | |
| 54 | JL188F-1110102 | Governor weight pin | Zátěžový kolík | 3 | | |
| 55 | JL188F-1110101 | Governor weight holder | Držák | 1 | | |
| 56 | JL168F-1110108 | Washer | Podložka | 1 | | |
| 57 | JL192FD-1030011 | Crankcase cover | Kryt klikové skříňe | 1 | | |
| 58 | JL192FD-1030003 | Air cleaner packing M27×3 | Těsnění čističe vzduchu | 1 | | |
| 59 | JL188FD-1030002 | Oil filler cap packing | Kryt víčka oleje | 1 | | |
| 60 | GB5789-M8×40 | Flange bolt M8×40 | Přírubový | 9 | | |
| 61 | JL190F-1050200 | Connecting rod assembly | Ojnice | 1 | | |
| 62 | JL188F-1050005 | Piston pin | Pístní čep | 1 | | |
| 63 | JL188F-1050004 | Piston pin clip | Spona pístního čepu | 2 | | |
| 64 | JL192F-1050001 | Piston | Píst | 1 | | |
| | JL192F-1050100 | Piston ring set | Sada pístních kroužků | 1 | | |
| 65 | JL192F-1050003 | Second ring set | Druhá sada prstenů | 1 | | |
| | JL192F-1050002 | Ring comp | Kroužek komp | 1 | | |
| 66 | JL190F-1030603 | EX, Valve | EX, ventil | 1 | | |
| 67 | JL190F-1030604 | IN, valve | IN, ventil | 1 | | |
| 68 | JL188F-1040006 | Valve spring washer | Pružinová podložka ventilu | 1 | | |
| 69 | JL188F-1040004 | Valve oil | Ventilový olej | 2 | | |
| 70 | JL188F-1040007 | Valve spring | Pružina ventilu | 2 | | |
| 71 | JL188F-1040002 | IN , valve spring retainer | IN , držák ventilové pružiny | 1 | | |
| 72 | JL188F-1040008 | Ex , valve spring retainer | držák ventilové pružiny | 1 | | |
| 73 | JL188F-1040009 | Valve rotator | Rotátor ventilů | 1 | | |
| 74 | JL188F-1010001 | Bolt | Šroub | 2 | | |
| 75 | JL190F-1011000G | Head comp | Hlava | 1 | | |
| 76 | JL188F-1080001 | Shroud | Kryt | 1 | | |
| 77 | JL188F-1040005 | Push rod guide plate | Vodící deska tlačné tyče | 1 | | |
| 78 | JL168F-1040010 | Pivot bolt | Otočný šroub | 2 | | |
| 79 | JL188F-1040001 | Valve rocket arm | Rameno ventilu | 2 | | |
| 80 | JL168F-1040012 | Rocker arm pivot | Čep vahadla | 2 | | |
| 81 | JL168F--1040011 | Pivot adjuJLing nut | Otočná seřizovací matice | 2 | | |
| 82 | JL188F-1020003 | Head over packing | Kryt | 1 | | |
| 83 | JL188F-1020100 | Head cover comp | Kryt hlavy | 1 | | |
| 84 | JL188F-1020006 | Head cover bolt comp | Šroub krytu hlavy | 1 | | |
| 85 | JL188F-1020002 | Tube | Trubice | 1 | | |
| 86 | JL188FD-1160002 | Fuel tube length 5.3in) | Palivová trubice | 1 | | |
| 87 | JL160F-1070001 | Clip | Klip | 2 | | |

| | part number | description | popis | qty/ks | order No. / obj. číslo dílu | set order No. / obj. číslo sady |
|-----|------------------|------------------------------|--------------------------|--------|-----------------------------------|---------------------------------------|
| 88 | JL188FD-1130002 | Carburetor packing | Těsnění karburátoru | 1 | | |
| 89 | JL188F-1130001G | GAS insulator | Plynový izolátor | 1 | | |
| 90 | JL188FD-1130003 | Carburetor insulator packing | Těsnění | 1 | | |
| 91 | JL188F-1010002 | Bolt | Šroub | 2 | | |
| 92 | JL168F-1124000 | Spark plug(NGK) | Zapalovací svíčka | 1 | | |
| 93 | JL188F-1030004 | Drain bolt washer | Podložka | 2 | | |
| 94 | JL188F-1003101 | Drain plug bolt M12×1.5×15 | Šroub vypouštěcí zátky | 2 | | |
| 95 | JL188F-1040012 | Valve lifter | Zvedák ventilů | 2 | | |
| 96 | JL190F-1040010 | Push rod | Tlačná tyč | 2 | | |
| 97 | JL192F-1030008 | Cylinder head casket | Hlava válce | 1 | | |
| 98 | JL188F-1030013 | Dowel pin 12×20 | Hmoždinka | 2 | | |
| 99 | GB5789-M10×80 | Bolt M10×80 | Šroub | 4 | | |
| 100 | JL188F-1122000 | Ignition | Zapalování | 1 | | |
| 101 | GB5789-M6×30 | Bolt M6×30 | Šroub | 2 | | |
| 102 | JL188F-1080200 | Control assy | Ovládací sestava | 1 | | |
| 103 | JL192FD-1131000G | Carburetor assy GAS | Sestava karburátoru | 1 | | |
| 104 | JL188FD-1010755 | spring | Pružina | 2 | | |
| 105 | GB3452 6×1.9 | "O" seal 6×1.9 | Těsnění | 1 | | |
| 106 | GB818 M4×10 | Screw M4×10 | Šroub | 1 | | |
| 107 | JL188F-1010480 | Mixer unit | Směšovací jednotka | 1 | | |
| 108 | GB818 M4×25 | Screw M4×25 | Šroub | 1 | | |
| 109 | JL188F-1130100 | Air cleaner packing | Čistič vzduchu | 2 | | |
| 110 | JL188F-1010315 | Throttle return spring GAS | Vratná pružina plynu | 1 | | |
| 111 | JL188F-1110002 | Governor rod GAS | Regulační tyč | 1 | | |
| 112 | JL188FD-1010430 | Stand of step motor | Stojan krokového motoru | 1 | | |
| 113 | JL2500-3010651 | Washer φ10×7×8 | Podložka | 1 | | |
| 114 | GB96 3 | Washer Ø3 | Podložka | 1 | | |
| 115 | GB818 M3×8 | Screw M3×8 | Šroub | 3 | | |
| 116 | JL188FD-1010434 | ATS Choke handle | Rukojeť sytiče | | | |
| 117 | JL188FD-1010429 | Step motor | Krokový motor | 1 | | |
| 118 | BG91 1×6 | pin φ1×6 | čep | | | |
| 119 | JL188FD-1090100 | Air clean elbow comp | Vzduch čisté koleno komp | 1 | | |
| 120 | JL188FD-1090003 | separator | oddělovač | 1 | | |
| 121 | JL188FD-1090004 | Air clean element | Čistič vzduchu | 1 | | |
| 122 | JL188FD-1090005 | Air cleaner seal | Těsnění čističky vzduchu | 1 | | |
| 123 | JL188FD-1090200 | Air cleaner cover comp | Kryt čističe vzduchu k | 1 | | |



COMBINATION SWITCH

| | | | | | | | |
|-------|-----|---|---|-----|---|---|-----|
| | G/Y | B | L | G/W | W | R | B/W |
| OFF | ○ | ○ | ○ | ○ | | | |
| ON | | | | | | ○ | |
| START | | | | | | | ○ |

| | | | |
|---|--------|-----|-------------|
| B | BLACK | Br | BROWN |
| Y | YELLOW | B/W | BLACK WHITE |
| L | BLUE | W/G | WHITE GREEN |
| R | RED | P | PINK |
| W | WHITE | | |